

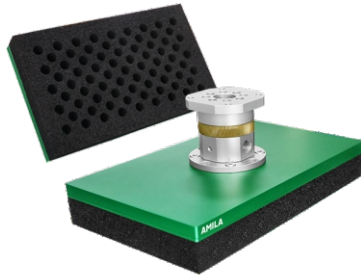
Composite Suction Cups

Composite Suction Cups MD-FOAM

Composite Suction Cups MD-FOAM

Introduction and application

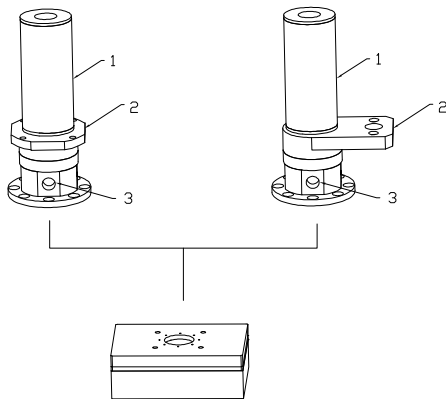
- ◆ Handling porous, breathable workpieces
- ◆ Size can be customized



System Design Composite Suction Cups MD-FOAM

Design

- ◆ Silencer(1)
- ◆ (2) Axial mounting (A) or lateral mounting (S)
- ◆ (3) compressed air intake



Ordering Data Composite Suction Cups MD-FOAM

Type	Ordering Data	Type	Ordering Data
MD-A-K-F-90X65 FOAM-20	90.13.01.00009	MD-A-K-F-200X120 FOAM-20	90.13.01.00013
MD-A-B-F-90X65 FOAM-20	90.13.01.00010	MD-A-B-F-200X120 FOAM-20	90.13.01.00014
MD-S-K-F-90X65 FOAM-20	90.13.01.00011	MD-S-K-F-200X120 FOAM-20	90.13.01.00015
MD-S-B-F-90X65 FOAM-20	90.13.01.00012	MD-S-B-F-200X120 FOAM-20	90.13.01.00016

Note: A represents the axial installation of the upper flange; S represents the lateral installation of the upper flange; K represents the adjustable vacuum generator; B represents the non-adjustable vacuum generator; F represents the lower flange; (detailed data reference page P)

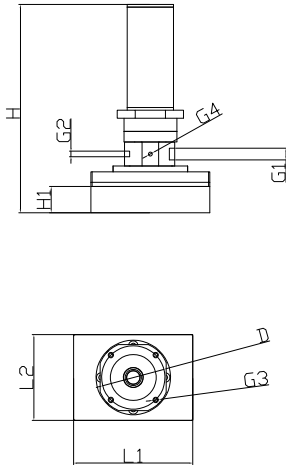
Composite Suction Cups

Composite Suction Cups MD-FOAM

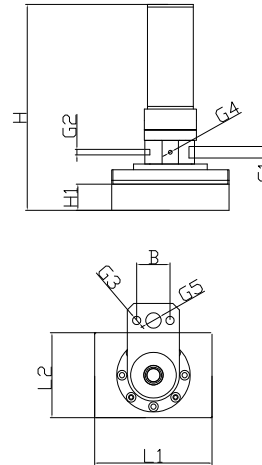


Design Data Composite Suction Cups MD-FOAM

MD-A



MD-S



Type	Dimensions[mm]										
	L1	L2	H	H1	D	G1	G2	G3	G4	G5	B
MD-A-K-F-90X65 FOAM-20	90	65	157.6	20	48	G1/8	M5	M5	M4	-	-
MD-A-B-F-90X65 FOAM-20	90	65	147.4	20	48	G1/8	M5	M5	M4	-	-
MD-S-K-F-90X65 FOAM-20	90	65	157.6	20	-	G1/8	M5	φ 6.6	M4	G1/4	25.5
MD-S-B-F-90X65 FOAM-20	90	65	147.4	20	-	G1/8	M5	φ 6.6	M4	G1/4	25.5
MD-A-K-F-200X120 FOAM-20	200	120	157.6	20	48	G1/8	M5	M5	M4	-	-
MD-A-B-F-200X120 FOAM-20	200	120	147.4	20	48	G1/8	M5	M5	M4	-	-
MD-S-K-F-200X120 FOAM-20	200	120	157.6	20	-	G1/8	M5	φ 6.6	M4	G1/4	25.5
MD-S-B-F-200X120 FOAM-20	200	120	147.4	20	-	G1/8	M5	φ 6.6	M4	G1/4	25.5

Combined Suction Cups

Vacuum Suction Cups

Composite Suction Cups

Special Grippers

Vacuum Gripping Systems

Mounting Elements

Vacuum Generators

Valve Technology

Switch And Monitoring

Vacuum Filters